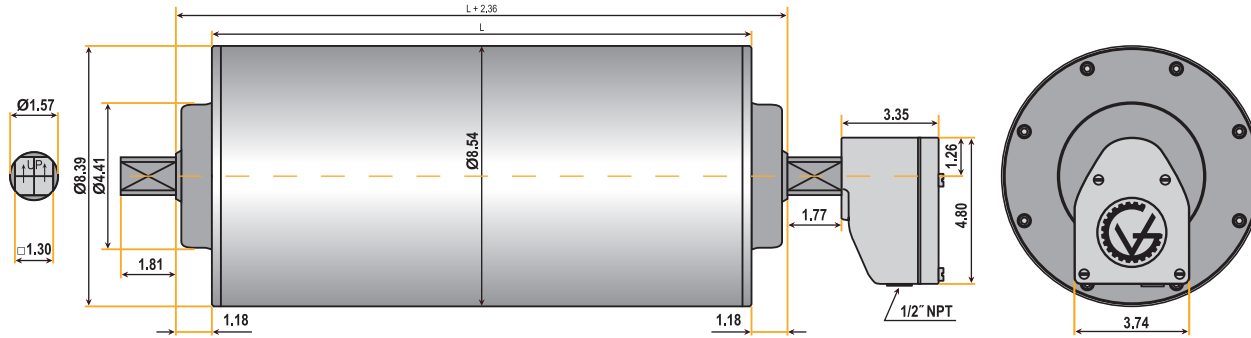


# TM215 SERIES (8.5" diameter)



## DIMENSIONS (in inches)

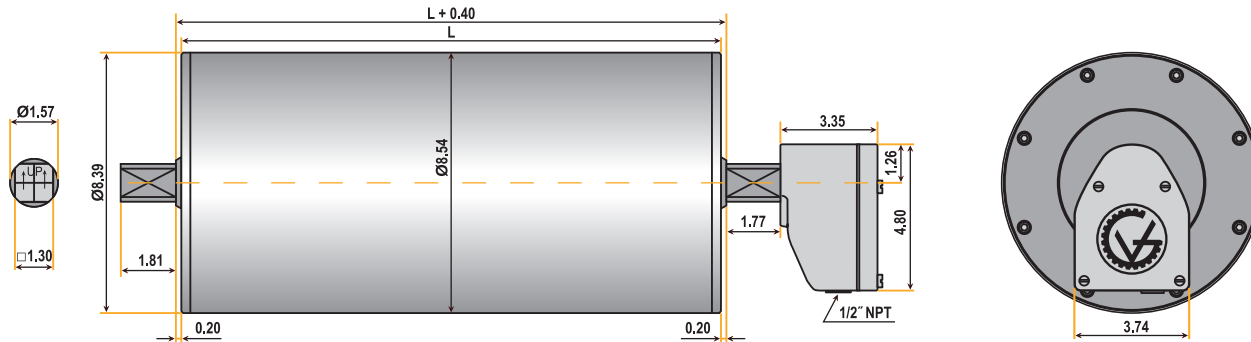
### TM215A40 Drum Motor (matching Idler KT215A40\*\*)



Standard face widths\* (L) in inches:

16.73	17.72	19.69	21.65	23.62	25.59	27.56	29.53	31.50
33.46	35.43	37.40	39.37	41.34	43.31	45.28	47.24	

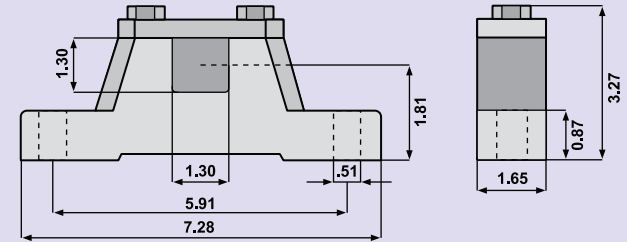
### TM215B40 Drum Motor (matching Idler KT215B40\*\*)



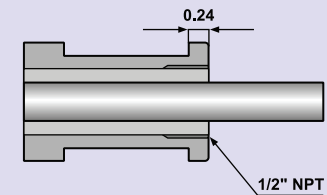
Standard face widths\* (L) in inches:

19.69	21.65	23.62	25.59	27.56	29.53	31.50	33.46	35.43
37.40	39.37	41.34	43.31	45.28	47.24			

### Bracket AB 40



### Optional Cable Type



Note: When Optional Cable Type is selected, the minimum face width (L) increases by 1.969 inches.

\*Some face widths are not available in all horsepower. For minimum available face widths refer to TM215 Specifications.

\*\*Idler dimensions are identical to the drum motor with no junction box.