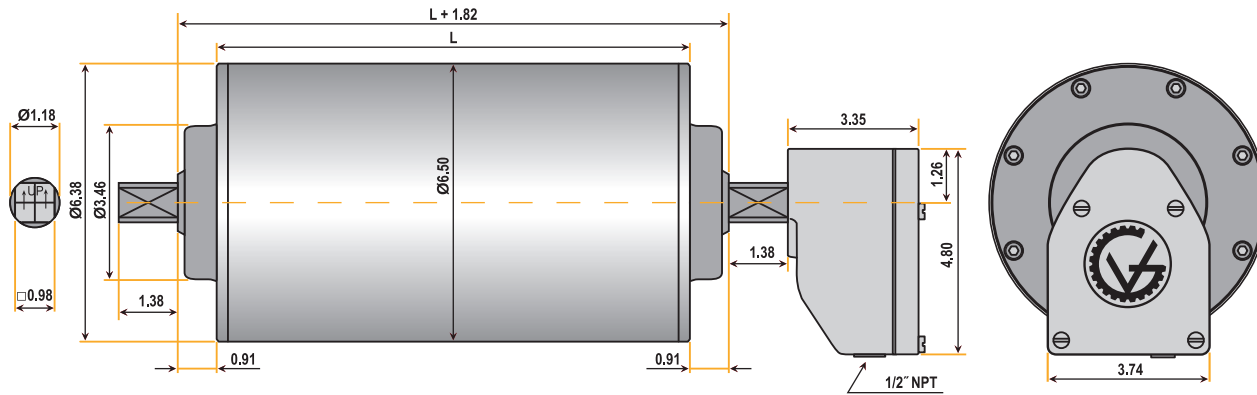


TM160 SERIES (6.5" diameter)



DIMENSIONS (in inches)

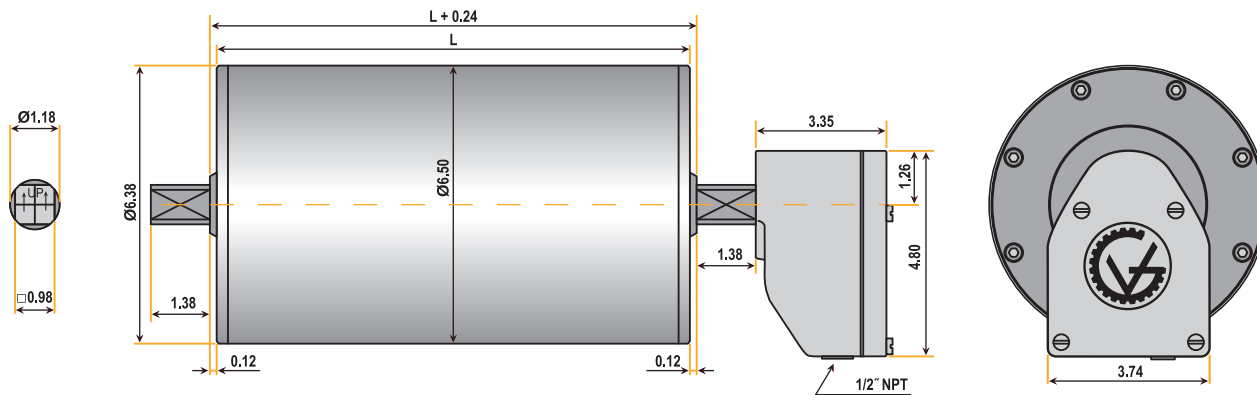
TM160A30 Drum Motor (matching Idler KT160A30**)



Standard face widths* (L) in inches:

13.78	15.75	16.73	17.72	19.69	21.65	23.62	25.59	27.56
29.53	31.50	33.46	35.43	37.40	39.37	41.34	43.31	45.28
47.24								

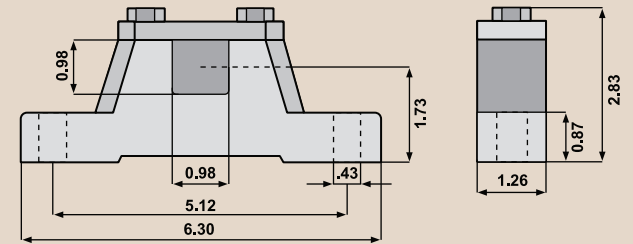
TM160B30 Drum Motor (matching Idler KT160B30**)



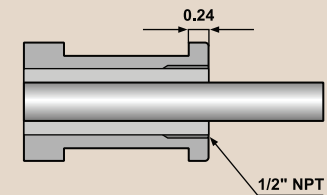
Standard face widths* (L) in inches:

15.75	16.73	17.72	19.69	21.65	23.62	25.59	27.56	29.53
31.50	33.46	35.43	37.40	39.37	41.34	43.31	45.28	47.24

Bracket AB 30



Optional Cable Type



Note: When Optional Cable Type is selected, the minimum face width (L) increases by 1.969 inches.

*Some face widths are not available in all horsepower. For minimum available face widths refer to TM160 Specifications.

**Idler dimensions are identical to the drum motor with no junction box.