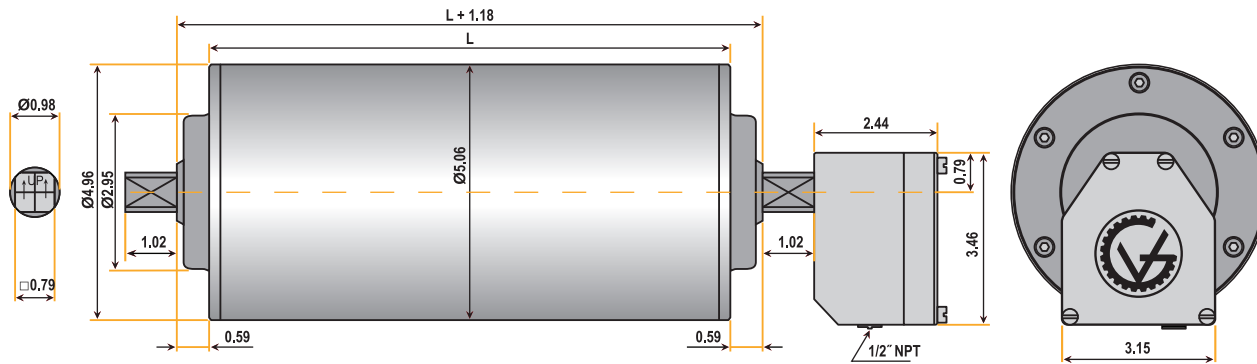


# TM127 SERIES (5.0" diameter)



## DIMENSIONS (in inches)

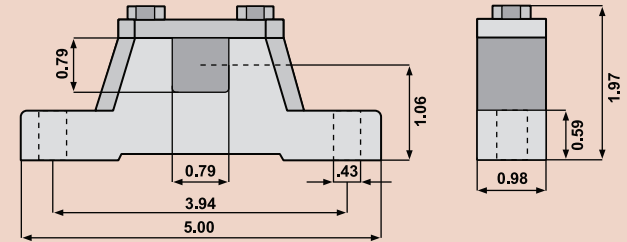
### TM127A25 Drum Motor (matching Idler KT127A25\*\*)



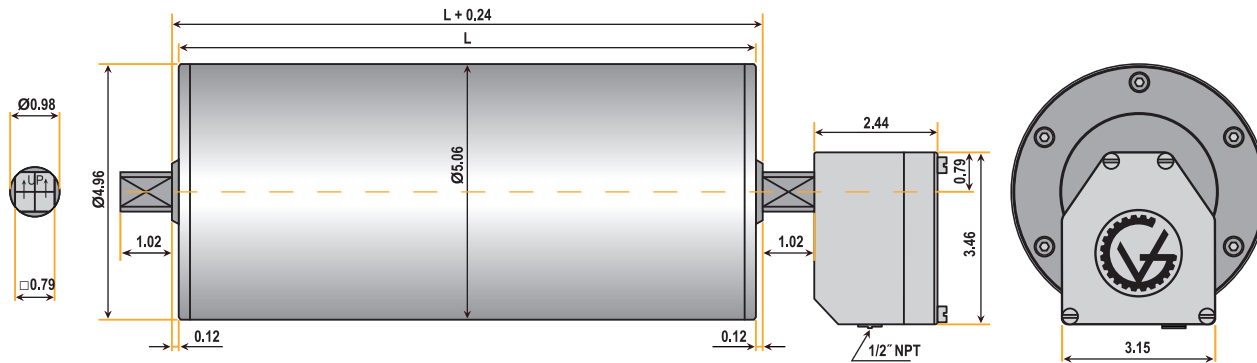
Standard face widths\* (L) in inches:

9.84	10.83	11.81	13.78	15.75	17.72	19.69	21.65	23.62
25.59	27.56	29.53	31.50	33.46	35.43	37.40	39.37	41.34
43.31	45.28	47.24						

### Bracket AB 25



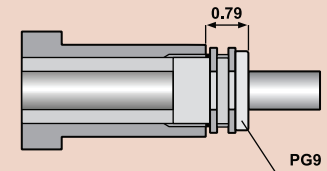
### TM127B25 Drum Motor (matching Idler KT127B25\*\*)



Standard face widths\* (L) in inches:

10.83	11.81	13.78	15.75	17.72	19.69	21.65	23.62	25.59
27.56	29.53	31.50	33.46	35.43	37.40	39.37	41.34	43.31
45.28	47.24							

### Optional Cable Type



Note: When Optional Cable Type is selected, the minimum face width (L) increases by 1.969 inches.

\*Some face widths are not available in all horsepower. For minimum available face widths refer to TM127 Specifications.

\*\*Idler dimensions are identical to the drum motor with no junction box.